



GENEBRE PART: 5803



SPECIFICATIONS

1	Designed for applications of 1/4 turn for actuation of ball valves and butterfly valves.
2	6 models available covering 20,30,55,85,140, and 300Nm
3	Series L: 12-24v AC/DC
4	Series H: 85-240v AC/DC
5	ISO 5211 Mounting pad
6	IP65 Protection
7	Manual Override
8	Electronic Torque limiter
9	Automatic Temperature Control
10	LED visual control of operation
11	Open and Close Confirmation Limit Switches
12	Modulating and Failsafe options

MATERIALS

1	Cover:	Polyamide A6
2	Body:	Polyamide A6
3	Internal Cam:	Polyamide A6
4	Main external shaft:	Stainless Steel
5	Gears:	Steel & Polyamide
6	Position Indicator:	Glass filled & Polyamide
7	Fastening:	Stainless Steel

Actuator status light basic function:

Constantly lit LED	The LED flashes with 2 blinks	The LED flashes on/ off
If the actuator is operating correctly with no faults, the LED shows a constantly lit light.	If the actuator has been left in 'manual' mode, the actuator's motor runs but doesn't drive the output shaft. After a pre-set time, the actuator knows that as the torque limiter has not activated and that the motor is running, it is in manual.	When the actuator senses an impending valve jam, the electronic torque limiter is activated and on activation, repeatedly flashes the LED on and off.



Optional extras:



BSR kit



DPS kit

- Failsafe (BSR)** Standard on/off version can be converted to failsafe using a plug & play conversion kit. Failsafe achieved with the use of industrial re-chargable batteries & charger PCB which are supplied with the BSR conversion kit.
- Modulating (DPS)** Standard on/off actuator can be converted to modulating using a plug and play conversion kit. The modulating function is achieved with a self calibrating digital positioner (either 0-10V or 4-20mA I/O) supplied with the DPS conversion kit.
- Failsafe & Modulating (BSR+DPS)** Install both kits !



GENEBRE PART: 5803

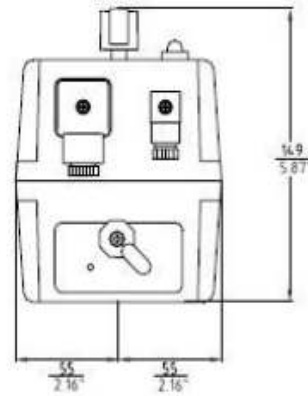
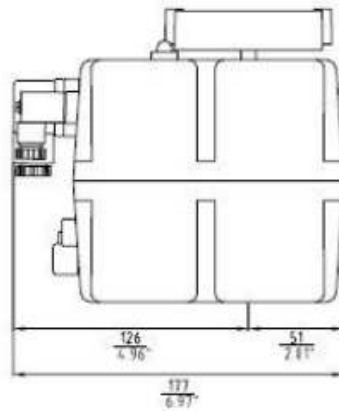
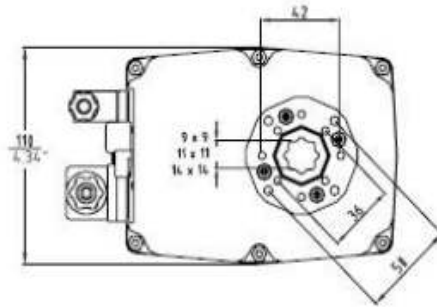
	GENEBRE MODEL NUMBER							
	0 'L'	0 'H'	05 'L'	05 'H'	1 'L'	1 'H'	1.5 'L'	1.5 'H'
Voltage AC (Iph) or DC	12 - 24	85 - 240	12 - 24	85 - 240	12 - 24	85 - 240	12 - 24	85 - 240
Working time - secs 0-90° (no load) ±10%	12	11	12	11	16	14	35	30
Max run torque Nm In.lbs	20 177	20 177	35 309	35 309	55 486	55 486	85 752	85 752
Max break torque Nm In.lbs	25 221	25 221	38 336	38 336	60 531	60 531	93.5 827	93.5 827
Duty rating %	75	75	75	75	75	75	75	75
IP rating IEC 60529	IP65	IP65	IP67	IP67	IP67	IP67	IP67	IP67
Working angle Std°	90	90	90	90	90	90	90	90
Temp range °C °F	-20 to +70 -4 to +158	-20 to +70 -4 to +158	-20 to +70 -4 to +158	-20 to +70 -4 to +158	-20 to +70 -4 to +158	-20 to +70 -4 to +158	-20 to +70 -4 to +158	-20 to +70 -4 to +158
Motor switch	2 x V3	2 x V3	2 x V3	2 x V3	2 x V3	2 x V3	2 x V3	2 x V3
Volt free end of travel Confirmation switches	2 x V3	2 x V3	2 x V3	2 x V3	2 x V3	2 x V3	2 x V3	2 x V3
Anti-condensation Heater	4W	4W	4W	4W	4W	4W	4W	4W
Current (full load) 12VDC 24VDC 24VAC 110V/Iph 220V/Iph	2.13A 0.91A 0.79A	 0.17A 0.09A	3.23A 1.49A 1.07A	 0.23A 0.12A	3.18A 1.43A 1.24A	 0.24A 0.11A	2.70A 1.18A 0.93A	 0.22A 0.09A
Inrush	Max (A) x3	Max (A) x3	Max (A) x3	Max (A) x3	Max (A) x3	Max (A) x3	Max (A) x3	Max (A) x3
Weight Kg	1.8	1.8	1.9	1.9	2.4	2.4	3.0	3.0
ISO:5211	F03,04 & F05	F03,04 & F05	F03,04,05 & F07 (opt)	F03,04,05 & F07 (opt)	F05 & F07	F05 & F07	F05 & F07	F05 & F07
Output drive (DIN:3337) Double Square drive (Std) (Options) Bespoke (eg: two flats etc)	14 9, 11 Contact us	14 9, 11 Contact us	14 9, 11, 17 Contact us	14 9, 11, 17 Contact us	17 11, 14 Contact us	17 11, 14 Contact us	17 11, 14 Contact us	17 11, 14 Contact us



Dimensiones Generales / General Dimensions

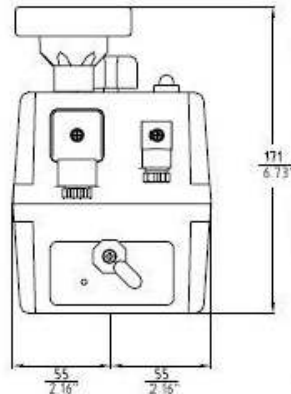
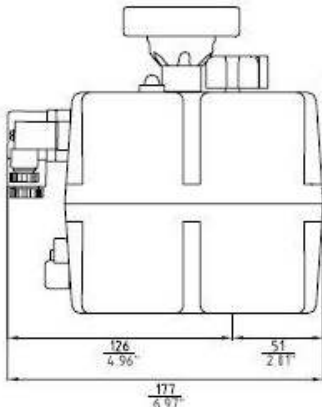
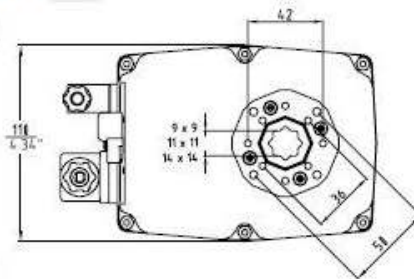
GE – 0 (Type J3)

mm / inch



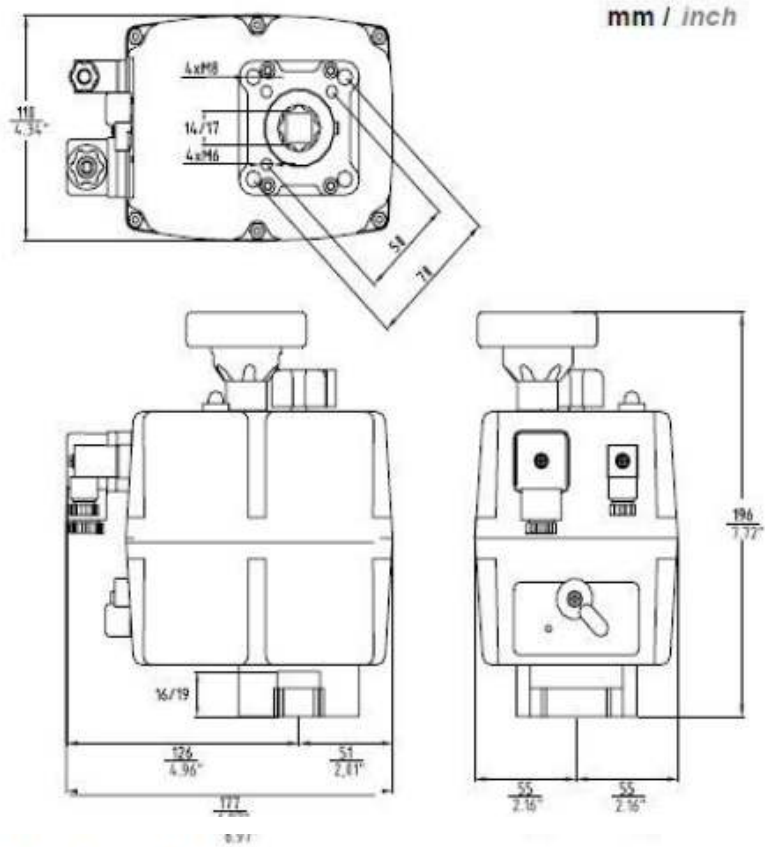
GE – 05 (Type J3)

mm / inch

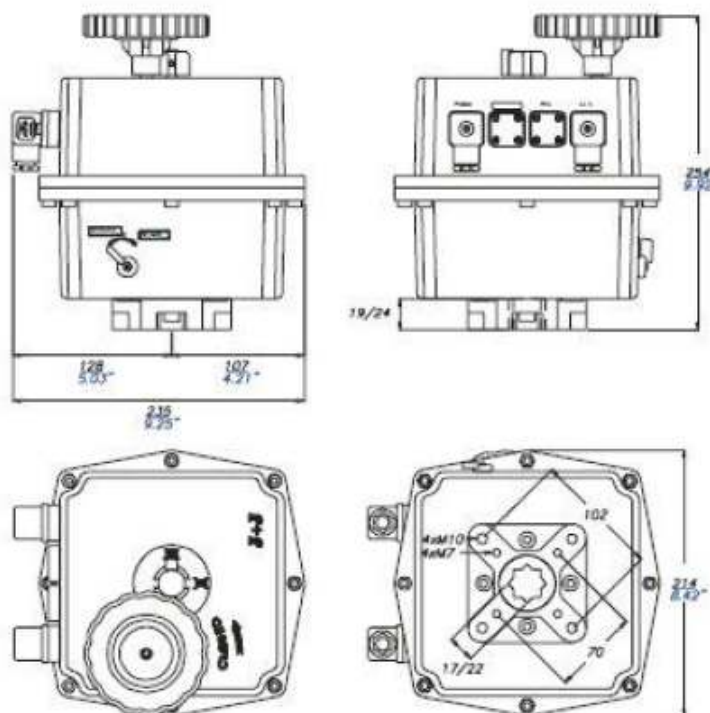




GE – 1 / GE – 15 (Type J3)

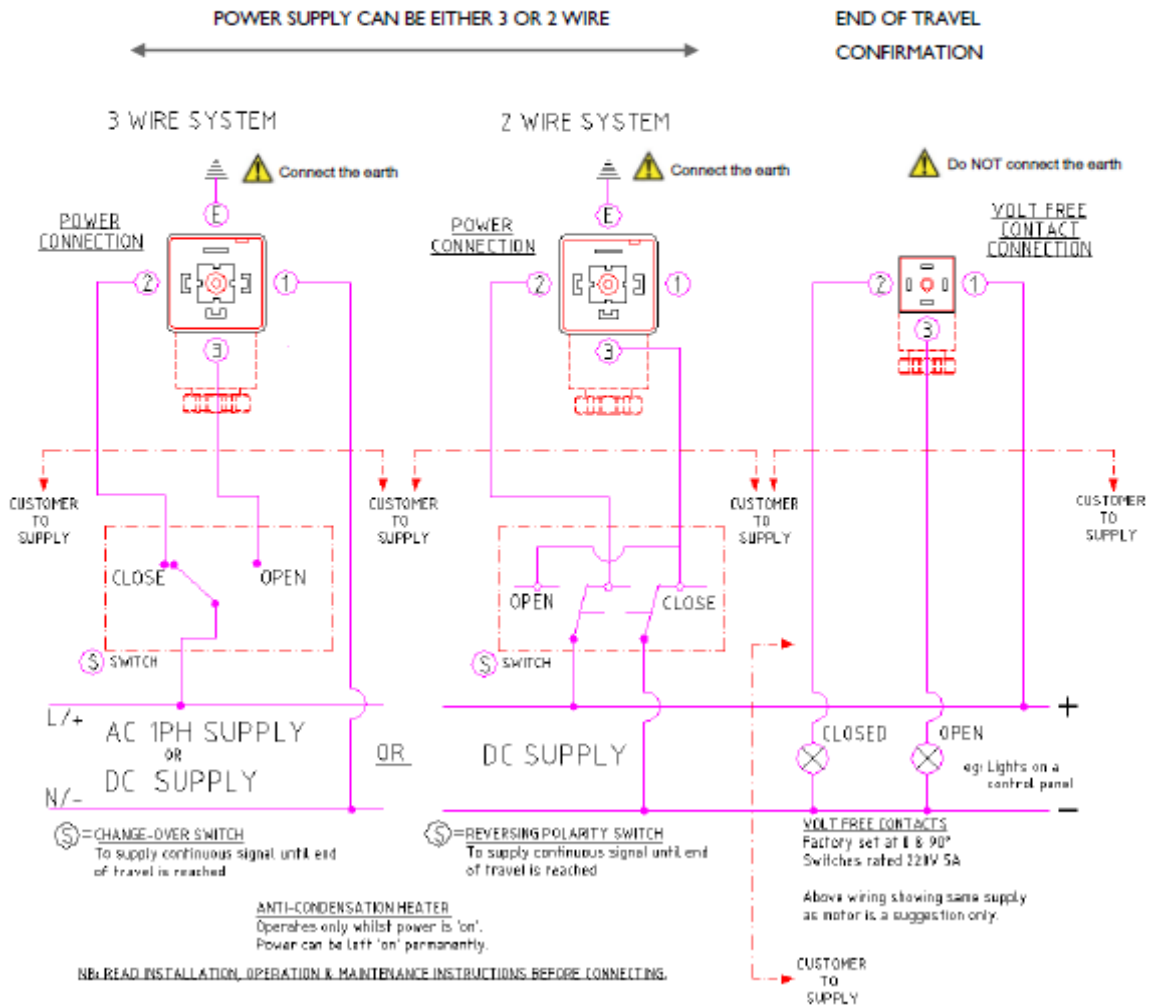


GE – 2 / GE – 2+ (Type J2)





AC (1ph) OR DC SUPPLY - WIRING FOR ON-OFF OR FAILSAFE ACTUATORS



FUNCTION: ON - OFF

Power open, power close
Stays put on mains power failure

FUNCTION: FAILSAFE

Power open, power close - trickle charges battery system in either open or closed position
Electric actuator sent by battery power to pre-set failsafe position on power failure
Electric actuator returns to pre-failure position on power resumption.
Failsafe position can be either NC (normally closed) or NO (normally open)